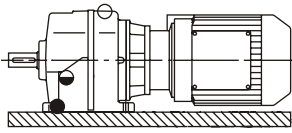
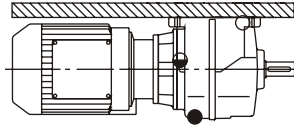


COLUMN 13 ENTRY

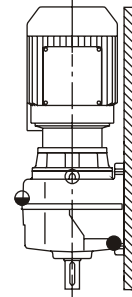
MOUNTING 1 B3



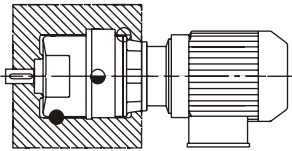
MOUNTING 4 B8



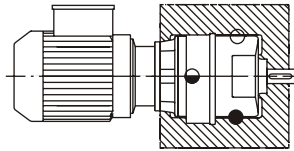
MOUNTING 5 V5



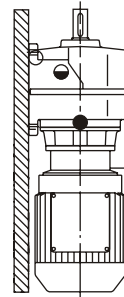
MOUNTING 3 B6



MOUNTING 2 B7

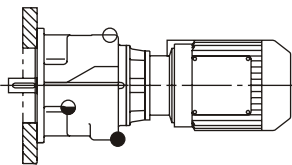


MOUNTING 6 V6

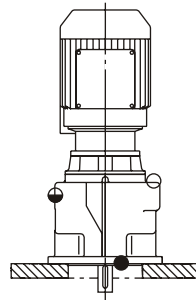


Motor must be fitted with a seal for this position

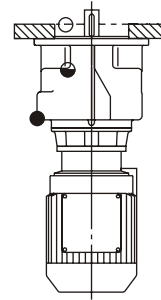
MOUNTING 7 B5



MOUNTING 8 V1



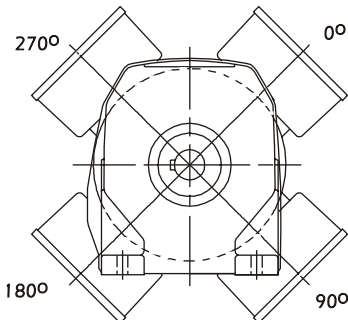
MOUNTING 9 V3



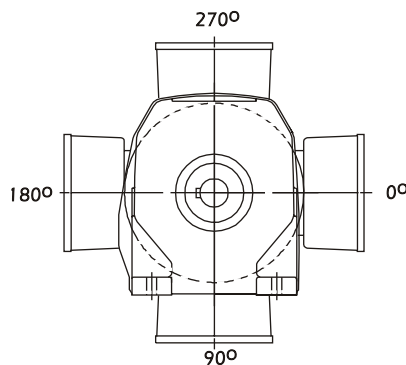
Motor must be fitted with a seal for this position

MOUNTING POSITIONS - SHOWN AS MOTORISED - APPLIES ALSO FOR REDUCERS
TERMINAL BOX SHOWN IN POSITION A - COLUMN 14 ENTRY

COLUMN 14 ENTRY



D63 MOTORS ONLY
(SIZES M03 - M04 ONLY)



ALL MOTORS

PLUG POSITIONS APPLY FOR SIZES M06 AND LARGER

- DRAIN POSITION
- LEVEL POSITION
- VENTILATOR/FILLING POSITION

Column 14 Entry	Terminal Box Position
A	0°
B	90°
C	180°
D	270°
-	Reducer or no motor fitted